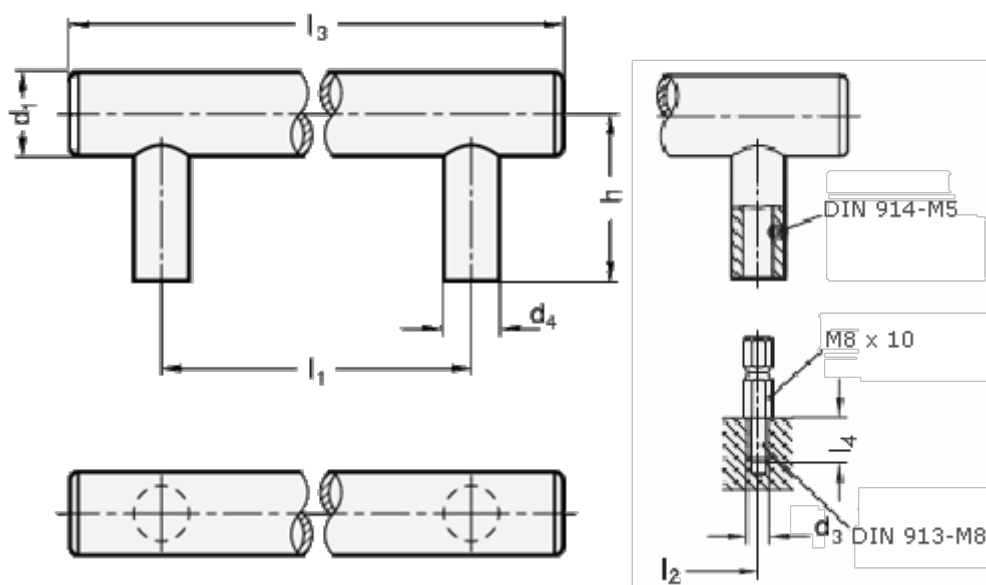


Article number: 20666730M8400E

Description: E+G St. steel tubular handle GN 666.7-30-M8-400-E  
E - with stainless steel cap, mountet from the front

## Measures



d1 = 30

d3 = M8

d4 = 20

h = 60

l1 +/-0.5 = 400

l2 = 400

l3 = 465

l4 = 15

t min = 15